

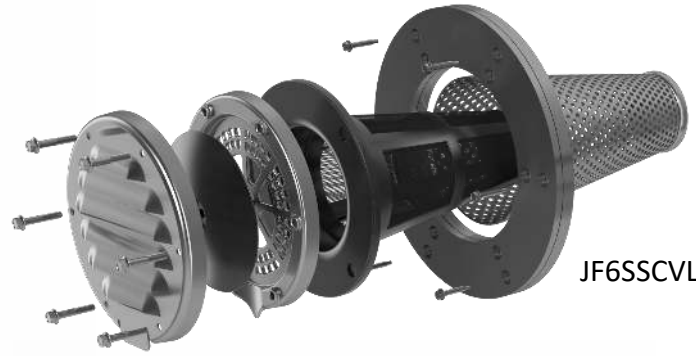
# Maintainable Weep Hole Filters

## Standard Open Free Flow

## Check-Valve Backflow Preventer

6" dia.

JF6SS



JF6SSCVLV

4" dia.

JF4SS



JF4SSCVLV

3" dia.

JF3SS



JF3SSCVLV

2.5" dia.

JF2.5ABS



8" dia.

JF8MAX



Sub-Horizontal Drainage System

## Design Application Types:

**Sheet Piling:** Vinyl, Steel, Composite and Aluminum, **Concrete Bridge Abutments and Wing Walls**, Box Culverts, **Stormwater & Flood Control Channels**, MSE Retaining and Block Walls, **Concrete Seawalls**, Wooden Bulkheads, **Man Holes**, Basement Foundations, **Tunnels**, Brick & Mortar Walls, **Dam Reclamation**, Levees, **Loading & Dry Docks**, Marina Apron, **Spillways**, etc...



Geotextile Filtration and Erosion Control  
www.JETFilterSystem.com  
800-475-2029

US PAT: 7,615,148, 10,124,281, 10,731,317